

Component Carriers and Housings

Weidmüller DK 4 and DKT 4 terminals

are suitable for the installation of electronic components with a maximum diameter or width of 4.5 mm. Four independent clamping yoke screw connections are available. A snap-on frame expands the installation space in the DK4 by 6 mm respectively. Depending on type, these modular terminals are suitable for mounting on TS 32, TS 35 x 7.5 or TS 35 x 15 mounting rails according to European standards EN 50 035 and EN 50 022.

Weidmüller WDK 2.5 terminals

are suitable for the installation of electrical components with a maximum width of 4 mm. As many as four independent clamping yoke screw connections or 4 6.3 x 0.8 tab connections are available. These terminals are suitable for mounting on TS 35 x 7.5 or TS 35 x 15 mounting rails.

Weidmüller EG 1 housings

offer 4 screw connections and, as accessories, up to 4 0.8 x 4.8 mm solder/tab connections on a width of 18 mm. The screw clamp busbar ends with a solder ring inside the housing. Two end plates seal the module. Depending on type, the modules are mounted on TS 32, TS 35 x 7.5 or TS 35 x 15 mounting rails.

Weidmüller EG 2 housings

The external shape of these housings corresponds to Type EG 1. Four screw connections or up to 8 0.8 x 6.6 mm/0.8 x 2.8 mm tab connectors are connected with a printed circuit board in the housing. They can be mounted on TS 32, TS 35 x 7.5 or TS 35 x 15 mounting rails.

Weidmüller EG 3 housings

provides 6 screw connections or 12 0.8 x 6.3 mm/0.8 x 2.8 mm tab connections on a width of 22.5 mm. As an accessory, Weidmüller offers a shaped printed circuit board with a 2.54 mm hole grid or fully copper-coated. The engagable combination foot allows the terminal to be mounted on TS 32, TS 35 x 7.5 or TS 35 x 15 mounting rails. The MPL mounting plate is used to mount the housing directly (without mounting rail). Due to the sliding foot construction, the EG 3 can be turned through 180° in all types of assembly (e.g. exchanging input and output).

Weidmüller EG 4 housing

as type EG 3, offers the same width of 22.5 mm. However, the greater installation depth (75 mm) and height (109 mm) allow the installation of more complex circuit configurations. The built-in installation can be connected via 6 screw connections. The snap-on combination foot allows the terminal to be mounted on TS 32, TS 35 x 7.5 or TS 35 x 15 mounting rails. Due to the sliding foot construction, the EG 4 can be slid forwards or backwards on the locking foot, and can be turned through 180° (e.g. exchanging of input and output).

Weidmüller EG 5 housings

correspond to type EG 4. The EG 5 has 12 screw connections, which can be wired with solder lugs inside the housing. The snap-on combination foot allows the terminal to be mounted on TS 32, TS 35 x 7.5 or TS 35 x 15 mounting rails. Due to the sliding foot construction, the EG 4 can be slid 6 mm forwards or backwards on the engaging foot and can be turned through 180° (e.g. exchanging input and output).

Weidmüller EG 6 housings

have a bus-suitable contact carrier. The bus connection is created by directly mounting several housings in a row. 32 connections are available on both sides of the housing as crimp connector block contacts. The housing accepts printed circuit boards with dimensions of 100 x 120 mm. The printed circuit board is adapted with a VG 64 DIN strip. The front panel is screwed onto the circuit board similar to the 19" technology. The locking foot allows easy mounting onto the TS 35 mounting rail.

Weidmüller SEG/U housing

enable the plug-in module assembly of a 70 x 52 x 1 mm printed circuit board. The circuit board is attached to the accessory cover plate via snap-in hooks. The housing contains a 13-pole socket block for installation of the module; 6 screw connections are available for connection. The permissible power loss in the housing during continuous operation of terminals in rows amounts to 1.5W, depending on the surface temperature of the soldered components. The snap-on combination foot allows the housings to be mounted on TS 32, TS 35 x 7.5 or TS 35 x 15 mounting rails.

Weidmüller housings type WAVEBOX

It is essential to provide fit-for-use housings for modern electronic components. Setting and control functions must be easily carried out and technical requirements with respect to heat dissipation and EMV properties should be supported.

An ideal design saves space and wiring costs in the switchgear cabinet.

In addition, ergonomics and design are becoming increasingly important for high-quality electronic products.

These are the criteria that led to the development of WAVEBOX. Simplified production methods (shaft soldering, SMD) ensure cost-savings for the customer.

The WAVEBOX is characterised by:

- Optimum width for any application (12.5 mm, 17.5 mm, 22.5 mm)
- Large component assembly surface; SMDs can be mounted on the solder side
- UL94 flammability class V2
- No tools required for assembly
- Plug-in printed circuit board
- Plug-in cross-connection via ZQV 2.5 N
- Hinged, transparent cover
- BLZ 5.08 screw/plug and socket connector
- BLFZ 5.08 optional tension clamp/plug and socket connector
- Marking option with WS tags
- Mounts onto TS 35

Weidmüller individual parts for RS 70 locking socket

latch together to form units from 20 mm in width. Any desired intermediate parts or feet can be connected between two side pieces (locking feet) at intervals of 5 mm. In this way, a carrier module is constructed for PCB, on which various components can be soldered. The assembly snaps onto TS 32, TS 35 x 7.5 or TS 35 x 15 mounting rails.

The Weidmüller RSX custom circuit module

is a largely prefabricated unit which accepts up to 5 components such as resistors, diodes, varistors or capacitors via soldering terminals. The components are connected via screw clamps or tab connections. This module is also suitable for mounting on TS 32, TS 35 x 7.5 or TS 35 x 15 mounting rails.

Weidmüller locking socket profiles

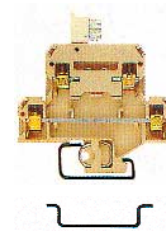
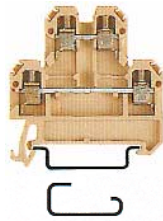
The RS 45, RS 80 and RS 100 profiles are available as 2 m long strips. The extruded profiles can be easily cut to any length with a saw. In this way, a carrier module is constructed for a printed circuit board on which various components can be soldered. Locking feet can be slid into these profiles for mounting on TS 32, TS 35 x 7.5 or TS 35 x 15 mounting rails. The sliding foot construction of the RS 80 also allows the fixing foot be turned through 180°.

Housings

Terminals

DK 4

DKT 4



Dimensions

Terminal width (+fitting tolerance 0.2)	6 mm
Insulating stripping length	9 mm

Terminal width (+fitting tolerance 0.2)	6 mm
Insulating stripping length	9 mm

Terminal width (+fitting tolerance 0.2)	6 mm
Insulating stripping length	9 mm

Connection data

Screw connection, solid	0.5...4 mm ²
Screw connection, stranded	0.5...4 mm ²
Conductor cross-section	AWG 22...12
Tightening torque range	0.5-1.0 Nm
Torque phase with	1
DMS 2 electric screwdriver	

Screw connection, solid	0.5...4 mm ²
Screw connection, stranded	0.5...4 mm ²
Conductor cross-section	AWG 22...12
Tightening torque range	0.5-1.0 Nm
Torque phase with	1
DMS 2 electric screwdriver	

Screw connection, solid	0.5...4 mm ²
Screw connection, stranded	0.5...4 mm ²
Conductor cross-section	AWG 22...17
Tightening torque range	0.5 - 1.0 Nm
Torque phase with	1
DMS 2 electric screwdriver	

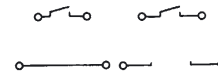
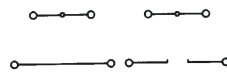
Rated data acc. to VDE

Rated cross-section	4 mm ²
Rated voltage	380 V~
Rated current	10 A
Power loss	0.5 W

Rated cross-section	4 mm ²
Rated voltage	380 V~
Rated current	10 A
Power loss	0.5 W

Rated cross-section	4 mm ²
Rated voltage	380 V~
Rated current	10 A
Power loss	0.5 W

Connection diagram



Ordering data

Terminal		Type	Cat. No.
for TS 32 y	Type	DK 4 PA	DK 4 PA
	Cat. No.	1537960000	1115460000
for TS 35 w	Type	DK 4/35 PA	DK 4/35 PA
	Cat. No.	8203490000	1115560000

Terminal		Type	Cat. No.
for TS 32 y	Type	DK 4 PA	DK 4 PA
	Cat. No.	1537960000	1115460000
for TS 35 w	Type	DK 4/35 PA	DK 4/35 PA
	Cat. No.	8203490000	1115560000

Terminal		Type	Cat. No.
for TS 32 y	Type	DKT 4 PA	DKT 4 PA
	Cat. No.	1686940000	1115660000
for TS 35 w	Type	DKT 4 /35PA	DKT 4/35 PA
	Cat. No.	0687460000	1115760000

Matching contour frame		Type	Cat. No.
for TS 32 y	Type	DK 4 RA	DK 4 RA
	Cat. No.	0690960000	0690960000
for TS 35 w	Type	DK 4 RA/35	DK 4 RA/35
	Cat. No.	0691060000	0691060000

Matching contour frame		Type	Cat. No.
for TS 32 y	Type	DK 4 RA	DK 4 RA
	Cat. No.	0690960000	0690960000
for TS 35 w	Type	DK 4 RA/35	DK 4 RA/35
	Cat. No.	0691060000	0691060000

Matching contour frame		Type	Cat. No.
for TS 32 y	Type	DKT 4 RA	DKT 4 RA
	Cat. No.	0687460000	1115760000
for TS 35 w	Type	DKT 4 RA/35	DKT 4 RA/35
	Cat. No.	0687460000	1115760000

Accessories

Mounting rail (2 m lengths)		Type	Cat. No.	Qty.
		TS 32	0122800000	2 m
		TS 35 x 7.5	0383400000	2 m
		TS 35 x 15	0498000000	2 m
End bracket	for TS 32	EWK 1 (8.5)	0206160000	50
	for TS 35	EW 35 (8.5)	0383560000	50
End plate (thickness mm)		AP PA (1.5)	0359260000	20
Partition		TSch 4	0363360000	100
Socket for test plug		StB 8.5	0215700000	50
Test plug (pin diameter)		PS (ø 2.3)	0180400000	20
Cross-connection (preassembled)	2-pole	Q 2	0336400000	50
	3-pole	Q 3	0336500000	50
	4-pole	Q 4	0336600000	50
	10-pole	Q 10	0368600000	20
Switchable cross-connection bracket		VL 2	0446700000	-
Connection sleeve		VH 10	0446600000	100
Fixing screw		BS M 2.5 x 14	0266800000	100
Cover plate (4 terminals)		AD 4	0303400000	50
Fixing screw (plastic)		BSK M 2.5 x 18	0303300000	100
Cross connection bridge		QB 2*	0482700000	100
		QB 3*	0482800000	50
		QB 4*	0482900000	50
		QB 75 blank*	0526400000	10
		Insulation profile	0526700000	-

Mounting rail (2 m lengths)		Type	Cat. No.	Qty.
		TS 32	0122800000	2 m
		TS 35 x 7.5	0383400000	2 m
		TS 35 x 15	0498000000	2 m
End bracket	for TS 32	EWK 1 (8.5)	0206160000	50
	for TS 35	EW 35 (8.5)	0383560000	50
End plate (thickness mm)		AP PA (1.5)	0359260000	20
Partition		TSch 4	0363360000	100
Socket for test plug		StB 8.5	0215700000	50
Test plug (pin diameter)		PS (ø 2.3)	0180400000	20
Cross-connection (preassembled)	2-pole	Q 2	0336400000	50
	3-pole	Q 3	0336500000	50
	4-pole	Q 4	0336600000	50
	10-pole	Q 10	0368600000	20
Switchable cross-connection bracket		VL 2	0446700000	-
Connection sleeve		VH 10	0446600000	100
Fixing screw		BS M 2.5 x 14	0266800000	100
Cover plate (4 terminals)		AD 4	0303400000	50
Fixing screw (plastic)		BSK M 2.5 x 18	0303300000	100
Cross connection bridge		QB 2*	0482700000	100
		QB 3*	0482800000	50
		QB 4*	0482900000	50
		QB 75 blank*	0526400000	10
		Insulation profile	0526700000	-

Mounting rail (2 m lengths)		Type	Cat. No.	Qty.
		TS 32	0122800000	2 m
		TS 35 x 7.5	0383400000	2 m
		TS 35 x 15	0498000000	2 m
End bracket	for TS 32	EWK 1 (8.5)	0206160000	50
	for TS 35	EW 35 (8.5)	0383560000	50
End plate (thickness mm)		AP PA (1.5)	0687560000	20
Partition		TSch 4	0363360000	100
Socket for test plug		StB 8.5	0215700000	50
Test plug (pin diameter)		PS (ø 2.3)	0180400000	20
Cross-connection (preassembled)	2-pole	Q 2	0336400000	50
	3-pole	Q 3	0336500000	50
	4-pole	Q 4	0336600000	50
	10-pole	Q 10	0368600000	20
Switchable cross-connection bracket		VL 2	0446700000	-
Connection sleeve		VH 10	0446600000	100
Fixing screw		BS M 2.5 x 14	0266800000	100
Cover plate (4 terminals)		AD 4	0303400000	50
Fixing screw (plastic)		BSK M 2.5 x 18	0303300000	100
Cross connection bridge		QB 2*	0482700000	100
		QB 3*	0482800000	50
		QB 4*	0482900000	50
		QB 75 blank*	0526400000	10
		Insulation profile	0526700000	-

* Accessories see terminals catalogue

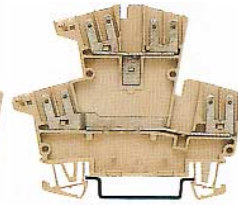
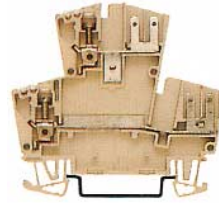
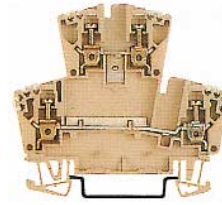
Housings

Terminals

WDK 2.5

WDK 2.5 F

WDK 2.5 FF

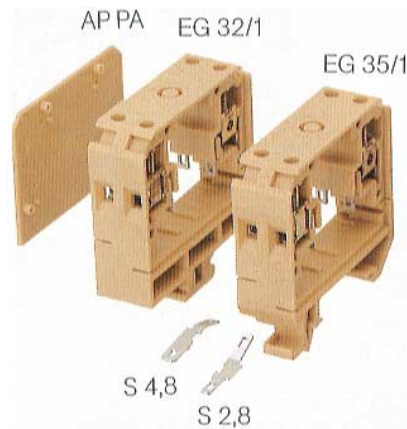


Dimensions	WDK 2.5		WDK 2.5 F	WDK 2.5 FF			
Terminal width (+fitting tolerance 0.2)	5 mm	5 mm	5 mm	5 mm			
Insulating stripping length	10 mm	10 mm	10 mm	-			
Connection data							
Screw connection, solid	0.5...4 mm ²	0.5...4 mm ²	0.5...4 mm ²				
Screw connection, stranded	0.5...2.5 mm ²	0.5...2.5 mm ²	0.5...2.5 mm ²				
Conductor cross-section	AWG 26...4	AWG 26...4	AWG 26...4				
Tightening torque range	0.4 - 0.7 Nm		0.4 - 0.7 Nm				
Torque phase with DMS 2 electric screwdriver	1		1				
Rated data acc. to VDE							
Rated cross-section	2.5 mm ²		2.5 mm ²	1 mm ²			
Rated voltage	380 V~		380 V~	380 V~			
Rated current	26 A		12 A (2 x 6 A)	12 A (2 x 6 A)			
Power loss	0.5 W		0.5 W	0.5 W			
Connection diagram							
Ordering data							
Terminal							
for TS 32 y	Type						
	Cat. No.						
for TS 35 w	Type	WDK 2.5	WDK 2.5 F	WDK 2.5 FF			
	Cat. No.	1023200000	1021600000	1021700000			
Matching contour frame							
for TS 32 y	Type						
	Cat. No.						
for TS 35 w	Type	WZR WDK 2.5	WZR WDK 2.5	WZR WDK 2.5			
	Cat. No.	1074000000	1074000000	1074000000			
Accessories	Type	Cat. No.	Qty.	Type	Cat. No.	Qty.	
Mounting rail (2 m lengths)	TS 35 x 7.5	0383400000	2 m	TS 35 x 7.5	0383400000	2 m	
	slotted	0514500000	2 m	slotted	0514500000	2 m	
	TS 35 x 15	0498000000	2 m	TS 35 x 15	0498000000	2 m	
End bracket (thickness mm) for TS 35	EW 35 (8.5)	0383560000	50	EW 35 (8.5)	0383560000	50	
End plate (thickness mm)	WAP	1059100000	100	WAP	1059100000	100	
Cross-connection (preassembled)	2-pole	WQV 2.5	1053660000	50	WQV 2.5	1053660000	50
	3-pole	WQV 2.5	1053760000	50	WQV 2.5	1053760000	50
	4-pole	WQV 2.5	1053860000	50	WQV 2.5	1053860000	50
	10-pole	WQV 2.5	1054460000	50	WQV 2.5	1054460000	50

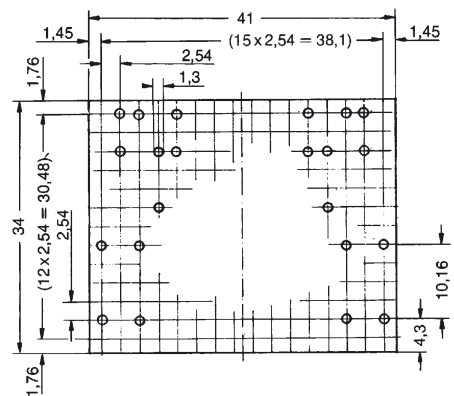
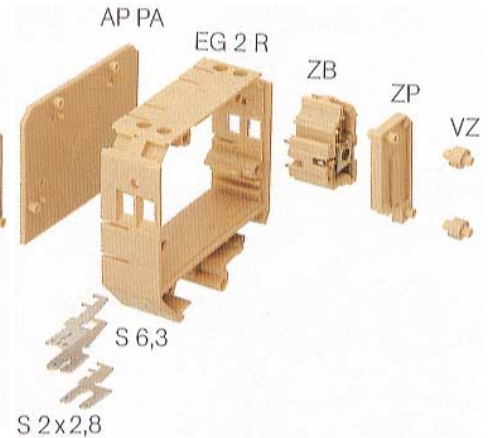
Housings

Housings

EG 1



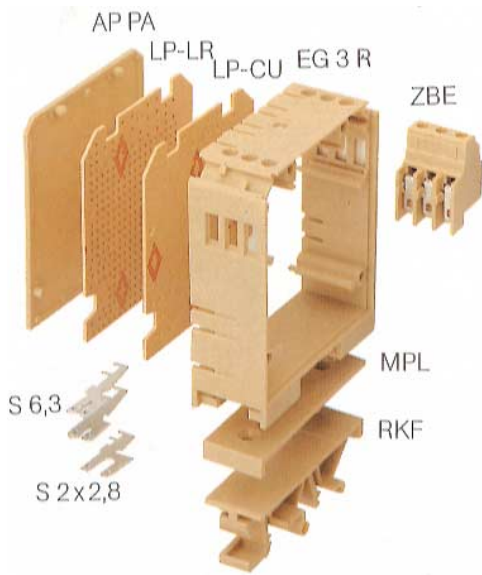
EG 2



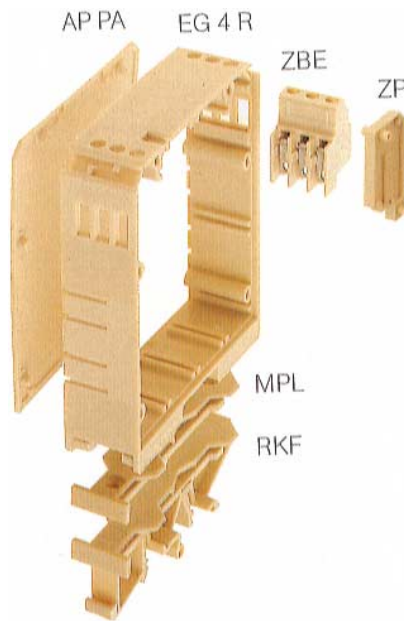
Rated data				Rated data			
Reference voltage acc. to VDE 0110 1/89	300 V			300 V			
Pollution severity	2			2			
Overtoltage category	II			II			
Current	10 A			10 A			
Power loss (when mounted in row)	1 W			1 W			
Protection class	IP 20			IP 20			
Flammability acc. to UL level	V-2			V-2			
Upper temperature limit	100 °C			100 °C			
Connection data				Connection data			
Screw connection solid	0.5...4 mm ²			0.5...4 mm ²			
Screw connection stranded	0.5...2.5 mm ²			0.5...2.5 mm ²			
Tightening torque range	0.5 - 1.0 Nm			0.5 - 1.0 Nm			
Torque phase with DMS 2 electric screwdriver	2			2			
Ordering data				Ordering data			
Housing frame	Type	Cat. No.	Qty.	Type	Cat. No.	Qty.	
	EG 32/1 for TS 32	0453560000	20	EG 2 R	0508860000	20	
	EG 35/1 for TS 35	0453860000	20				
End plate	AP PA	0453660000	20	AP PA	0453660000	20	
Combi foot, latchable							
Assembly plate							
Clamping yoke unit, right				ZB-R	0495960000	20	
Clamping yoke unit, left				ZB-L	0495860000	20	
Intermediate plate	ZP	0453760000	20	ZP	0453760000	20	
Connection spigot	VZ	0510260000	50	VZ	0510260000	50	
Connection tab 0.8 x 6.3 mm							
Connection tab 2 x 0.8 x 2.8 mm							
Tab / solder lug 0.8 x 2.8 mm	S 2.8	0475800000	20	S 6.3	0496100000	100	
Tab / solder lug 0.8 x 4.8 mm	S 4.8	0475700000	20	S 2 x 2.8	0163500000	50	
Printed circuit board, copper-coated							
Printed circuit board 5.08 pitch							
Dimensions				Dimensions			
see page	306, Fig. I			306, Fig. II			

Housings

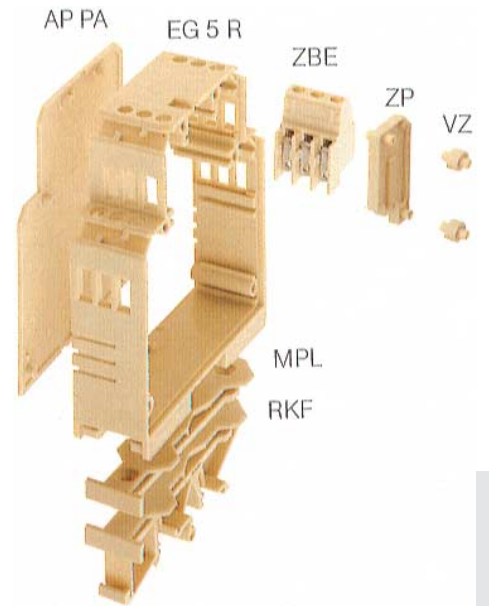
EG 3



EG 4



EG 5



300 V
2
II
10 A
1.5 W
IP 20
V - 2
100 °C
0.5...4 mm ²
0.5...2.5 mm ²
0.4 - 0.8 Nm
1

Type	Cat. No.	Qty.
EG 3 R	0163960000	15
AP PA	0133760000	20
RKF	0163860000	20
MPL	0158560000	50
ZBE	0138360000	50
ZBE	0138360000	50
VZ	0510260000	50
S 6.3	0496100000	100
S 2 x 2.8	0163500000	50
LP-CU	0167300000	-
LP-LR	0167400000	-

307, Fig. V

300 V
2
III
10 A
1.6 W
IP 20
V - 2
100 °C
0.5...4 mm ²
0.5...2.5 mm ²
0.4 - 0.8 Nm
1

Type	Cat. No.	Qty.
EG 4 R	1116560000	-
AP PA	1116060000	20
RKF	1116260000	20
MPL	1116360000	50
ZBE	0138360000	50
ZBE	0138360000	50
VZ	0510260000	50
ZP	0453760000	-

307, Fig. VI

300 V
2
III
1 A
1.6 W
IP 20
V - 2
100 °C
0.5...4 mm ²
0.5...2.5 mm ²
0.5 - 0.8 Nm
1

Type	Cat. No.	Qty.
EG 5 R	1116860000	-
AP PA	1116160000	20
RKF	1116260000	20
MPL	1116360000	50
ZBE	0138360000	50
ZBE	0138360000	50
VZ	0510260000	50
ZP	0453760000	-

307, Fig. VII

Housings

Housings for pluggable printed circuit boards

Housing version	Polyamide PA 6.6
Flammability class	U2 (UL 94)
Colour	grey

Notes:

BLZ may only be actuated with the supply disconnected. If small power ratings need to be switched for operating reasons, empirical values are available on request.

Description
Housing base completely assembled with locking foot, not cross-connectable
Housing base completely assembled with locking foot, cross-connectable
Top part with transparent cover/top unit
Pin header 5.08/3-pole orange; right
Pin header 5.08/3-pole orange; left
Connector socket 2-pole for BLZ 5.08/2 screw terminal
- orange
- black
Other colours are available on request
Connector socket 3-pole for BLZ 5.08/3 terminal
- orange
- black
Other colours are available on request
Connector socket 2-pole for BLZ 5.08/3 tension clamp terminal
- orange
- black
Connector socket 3-pole for BLZ 5.08/3 tension clamp terminal
- orange
- black

Accessories

Cross-connection ZQV 2.5N/2 black
Cross-connection ZQV 2.5N/2 red
Cross-connection ZQV 2.5N/2 blue
Cross-connection ZQV 2.5N/2 yellow
Coding elements for BLZ BLZ KO black
Coding elements for BLZ BLZ KO orange

WS connector marker

WS15/5 Multicard*
WS10/5 Multicard *
WS10/5 Neutral*
Screw cap
Power loss, arranged side by side, type

Ordering example WAVEBOX S 22.5

Housing base completely assembled with locking foot, not cross-connectable
Top part with transparent cover/top unit
Pin header 5.08/3-pole orange; right
Pin header 5.08/3-pole orange; left
Connector socket 3-pole for BLZ 5.08/3 screw terminal, orange

* Marker see page 317 + 318

Attention!

These WAVEBOX-housings are authorized only to be used in a closed control cubicle!

WAVEBOX S 22.5



Type	Cat. No.	Qty.
WAVEBOX S 22.5	8426440000	10
WAVEBOX S 22.5 QV	8426450000	10
Head	8426460000	10
Pin header	8426620000	10
Pin header	8426630000	10
Connector socket	1526560000	100
Connector socket	1526510000	100
Connector socket	1707470000	100
Connector socket	1707700000	100

WAVEBOX L 22.5



Type	Cat. No.	Qty.
WAVEBOX L 22.5	8426470000	10
WAVEBOX L 22.5 QV	8426480000	10
Head	8426490000	10
Pin header	8426620000	10
Pin header	8426630000	10
Connector socket	1526560000	100
Connector socket	1526510000	100
Connector socket	1707470000	100
Connector socket	1707700000	100

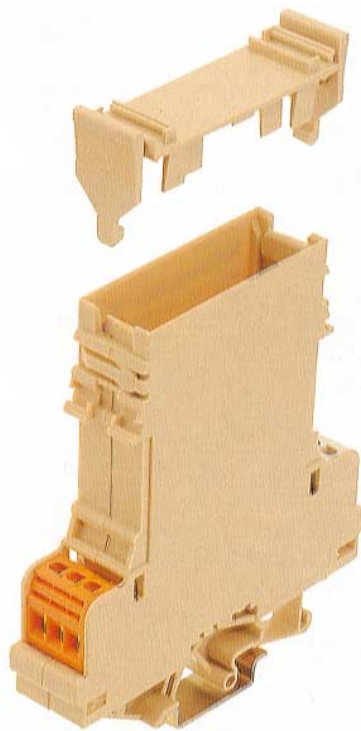
Dimension drawing, see page 308

Housings

Housings

SEG-U/LPU

EG 6

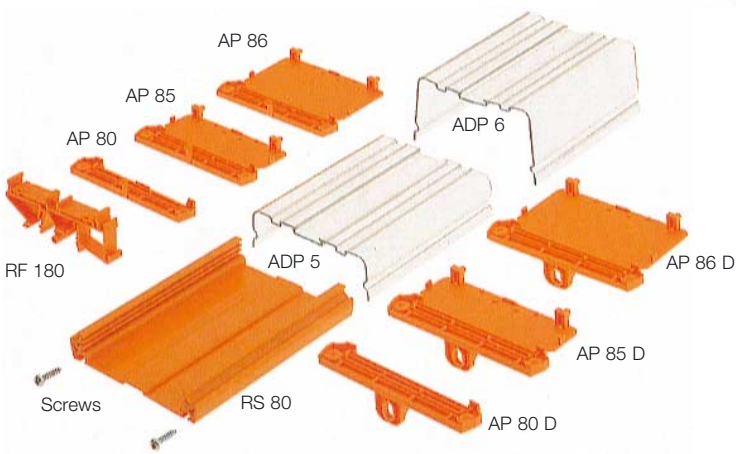


Rated data				
Reference voltage acc. to VDE 0110 1/89	50 V			32 V nach VDE 0110/1.89
Pollution severity	2			2
Overtoltage category	III			III
Current	1 A			
Current-carrying capacity of bus contacts				1 A/δ _U 50 °C
Volume resistance of bus contacts				12 mΩ
Printed circuit board dimensions				100 x 120 x 1.8 mm
Power loss (when mounted in row)	1.5 W			
Protection class	IP 20			IP 00
Flammability acc. to UL level	V -2			V - 2
Upper temperature limit	100 °C			100 °C
Connection data				
Screw connection solid	0.5...4 mm ²			
Screw connection stranded	0.5...2.5 mm ²			
Tightening torque range	0.5 Nm			
Torque phase with electric screwdriver DMS 2	1			
Ordering data	Type	Cat. No.	Qty.	Type
Housing frame	Housing SEG/U	8007870000	-	EG 6 (incl. front plate)
	Cover plate	8066100000	-	8095840000
End plate				
Combi foot, latchable				
Assembly plate				
Clamping yoke unit, right				
Clamping yoke unit, left				
Intermediate plate				
Connection spigot				
Connection tab 0.8 x 6.3 mm				
Connection tab 2 x 0.8 x 2.8 mm				
Tab / solder lug 0.8 x 2.8 mm				
Tab / solder lug 0.8 x 4.8 mm				
Printed circuit board, copper-coated				
Printed circuit board 2.54 pitch				
Dimensions				
See page	307			307

Housings

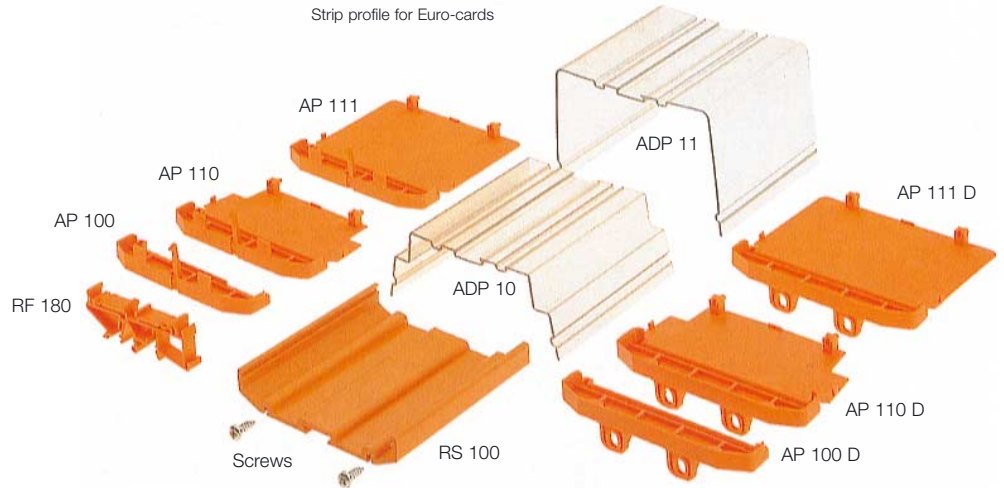
RS 80

Strip profile



RS 100

Strip profile for Euro-cards



AP RF80 RE/LT

Total width:	84 mm
Length:	2000 mm

For horizontal insertion of a printed circuit board	
Width:	67.8 (+0.2) mm
Thickness:	1.8 (+0.15) mm (DIN 40802 T. 2)
Dim. RS section printed circuit board length -4.5 mm	
Dim. ADP section printed circuit board length -2 mm	
Example: circuit board length 160 mm, RS = 155.5 mm, ADP = 158 mm	

V-0 / V-2 strip profile / accessories
70 °C

Type	orange (RAL 2000)	grey (RAL 7032)	Qty.
RS 80 (2000 mm) grey		4183130000	1
RS 80 (2000 mm) orange	4157440000		1
RF 180	1324460000	1773400000	20
AP 80	1324260000	8320300000	20
AP 80 D	1324360000		20
AP RF 80 RE		8156200000	-
AP RF 80 LT		8156210000	-
AP 85	1410860000		20
AP 85 D	1411060000		20
AP 86	1410960000		20
AP 86 D	1411160000		20
ADP 5 (1000 mm)	4167150000		-
ADP 6 (1000 mm)	4167160000		-
30 x 14	4011200000		-

Total width:	104 mm
Length:	2000 mm/160 mm

For horizontal insertion of a printed circuit board	
Width:	100 (+0.5) mm
Thickness:	1.8 (+0.5) mm (DIN 40802 Part 2)
Dim. RS section printed circuit board length -4.5 mm	
Dim. ADP section printed circuit board length -1 mm	
Example: circuit board length 160 mm, RS = 155.5 mm, ADP = 159 mm	

V-0 / V-2 strip profile / accessories
70 °C

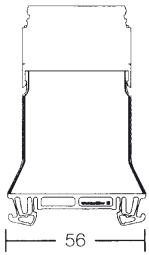
Type	orange (RAL 2000)	grey (RAL 7032)	Qty.
RS 100 (2000 mm) grey		4010870000	1
RS 100 (2000 mm) orange	4144870000		1
RS 100 (155 mm)	4148400000		1
RF 180	1324460000	1773400000	20
AP 100	1185060000	1773410000	20
AP 100 D	1185160000		20
AP 110	1185260000		20
AP 110 D	1185360000		20
AP 111	1185460000		20
AP 111 D	1185560000		20
ADP 10 (2000 mm)	4169320000		(2 m)
ADP 11 (2000 mm)	4169330000		(2 m)
40 x 14	4019420000		-

Housings

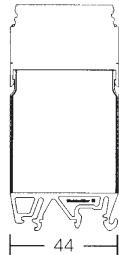
Housings EG.../RST OST

Dimensions
 Connection data
 Accessories

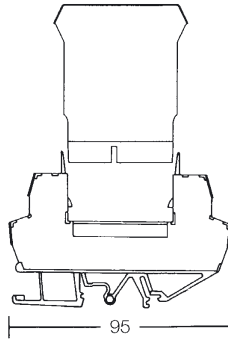
EGR/EG 7



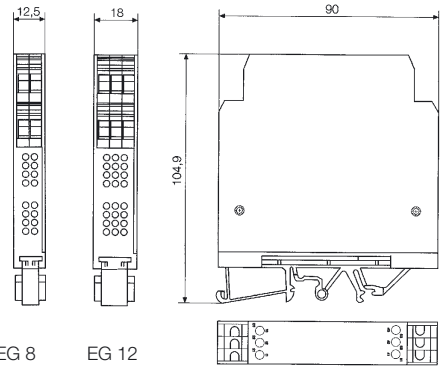
EGR/EGO



RST/EG 7



EG 8 / EG 12



	EG 7/35 for TS 35	EG 7/combi foot
Width (mm)	10	10
Height (mm)		
with TS 35 x 7.5	92	96
with TS 35 x 15	100	103
with TS 32		100

RST/OST EG 7	
Width (mm)	10
Height assembled (mm)	
823472 for TS 32	
with TS 35 x 7.5	91
with TS 35 x 15	99
819383 with combi foot	
with TS 35 x 7.5	93
with TS 35 x 15	101
with TS 32	97

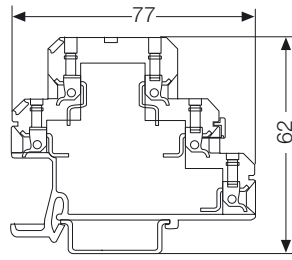
Dimensions	
EG 8	
Width (mm)	12.5
Height (mm)	104.9
EG 12	
Width (mm)	18
Height (mm)	104.9

Housings

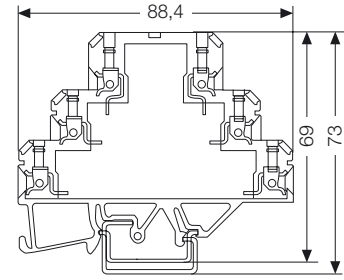
Housings

Dimensions
Connection data
Accessories

DK 5



DK 6



Dimensions	
Terminal width (+ fitting tolerance 0.2 mm)	
Insulating stripping length	
Connection data	
Screw connection, solid	
Screw connection, stranded	
Connection cross-section	
Accessories	
Mounting rail (2 m lengths)	y
	w
	v
End bracket	for TS 32
	for TS 35
End plate	
Marking material*	

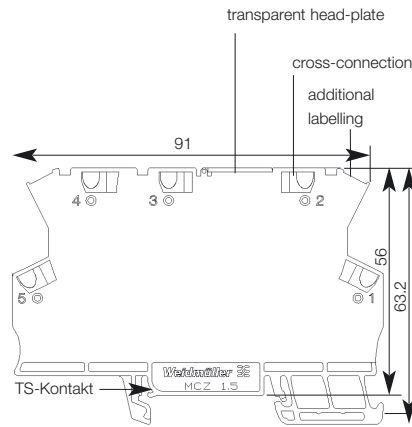
DK 5	
Terminal width	6 mm
Insulating stripping length	9 mm
Connection data	
Screw connection, solid	0.5...4 mm ²
Screw connection, stranded	0.5...4 mm ²
Connection cross-section	AWG 20...12
Accessories	
Type	Cat. No.
TS 32	0122800000
TS 35 x 7.5	0383400000
TS 35 x 15	0498000000
EWK 2	0199360000
EW 35	0383560000
AP	8268870000
dekafix 5	

DK 6	
Terminal width	8 mm
Insulating stripping length	9 mm
Connection data	
Screw connection, solid	0.5...4 mm ²
Screw connection, stranded	0.5...4 mm ²
Connection cross-section	AWG 20...12
Accessories	
Type	Cat. No.
TS 32	
TS 35 x 7.5	0383400000
TS 35 x 15	0498000000
EWK 2	0199360000
EW 35	0383560000
AP	8324560000
dekafix 5	

*For more information see sectional catalogue 5/installation products

Housings miniconditioner MCZ

Dimensions
Connection data
Accessories



Dimensions	
Width (mm) + fitting tolerance 0.2	6
Insulating stripping length (mm)	6
Connection data	
Z-spring connection, solid	0.5...1.5 mm ²
Z-spring connections, stranded	0.5...1.5 mm ²
Connection cross-section	AWG 26...16
Accessories	
Mounting rail (2 m lengths) w	
Mounting rail (2 m lengths) v	
End plate	
End bracket for TS 35	
Cross-connection (pluggable)	

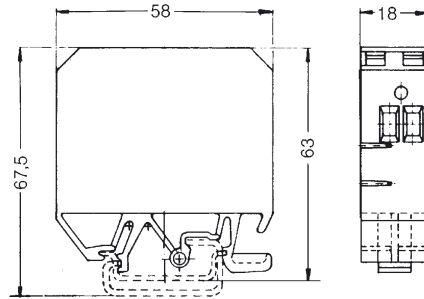
MCZ 1.5	
Terminal width	6 mm
Insulating stripping length	6 mm
Connection data	
Screw connection, solid	0.5...1.5 mm ²
Screw connection, stranded	0.5...1.5 mm ²
Connection cross-section	AWG 26...16
Accessories	
Type	Cat. No.
TS 35 x 7.5	0383400000
TS 35 x 15	0498000000
APMCZ 1.5	8389030000
EW 35	0383560000
EW 35	0383560000
ZQV 4 2-pole	1608950000
ZQV 4 3-pole	1608960000
ZQV 4 4-pole	1608970000
ZQV 4 5-pole	1608980000
ZQV 4 6-pole	1608990000
ZQV 4 7-pole	1609000000
ZQV 4 8-pole	1609010000
ZQV 4 9-pole	1609020000
ZQV 4 10-pole	1609030000

Housings

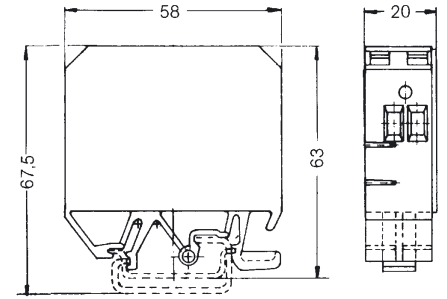
Housings EG.../EG-U/LPU

Dimensions
Connection data
Accessories

EG 1 - Fig. I



EG 2 - Fig. II

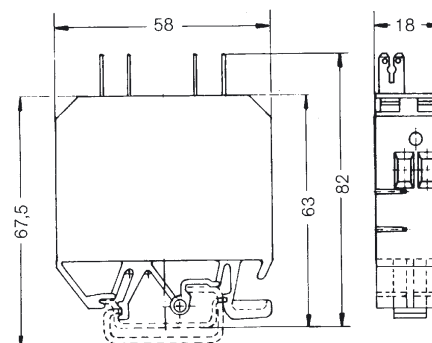


Dimensions	
Terminal width (+fitting tolerance 0.2 mm)	18 mm
Insulating stripping length	12 mm
Connection data	
Screw connection, solid	0.5...6 mm ²
Screw connection, stranded	0.5...4 mm ²
Connection cross-section	AWG 20...12
Accessories	
Mounting rail (2 m lengths)	Y
	W
	U
End bracket	for TS 32
	for TS 35
Cross connection wire: 80 mm long, 50-pole/1 mm ²	
Marking material*	

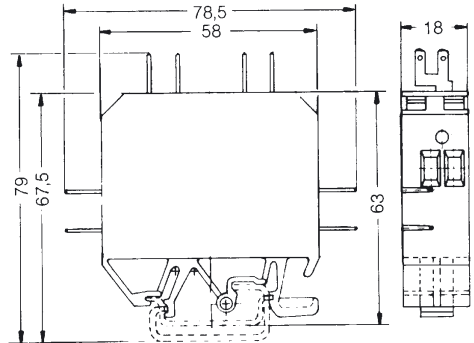
Type	Cat. No.
TS 32	0122800000
TS 35 x 7.5	0383400000
TS 35 x 15	0498000000
EKW 2	0199360000
EW 35	0383560000
QD 50/grey	0238700000
dekafix 5	

Type	Cat. No.
TS 32	0122800000
TS 35 x 7.5	0383400000
TS 35 x 15	0498000000
EKW 2	0199360000
EW 35	0383560000
QD 50/grey	0238700000
dekafix 5	

EG 2 - Fig. III



EG 2 - Fig. IV



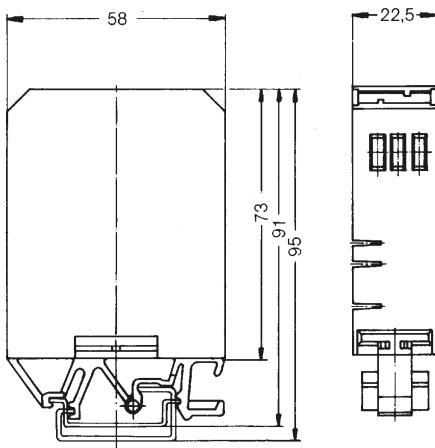
Dimensions	
Terminal width (+fitting tolerance 0.2 mm)	18 mm
Insulating stripping length	
Connection data	
Screw connection, solid	
Screw connection, stranded	
Tab connection (DIN 46247)	2x 0.8 x 2.8 mm or 1x 0.8 x 6.3 mm
Connection cross-section	
Accessories	
Mounting rail (2 m lengths)	Y
	W
	U
End bracket	for TS 32
	for TS 35
Cross connection wire: 80 mm long, 50-pole/1 mm ²	
Marking material*	

Type	Cat. No.
TS 32	0122800000
TS 35 x 7.5	0383400000
TS 35 x 15	0498000000
EKW 2	0199360000
EW 35	0383560000
QD 50/grey	0238700000
dekafix 5	

Type	Cat. No.
TS 32	0122800000
TS 35 x 7.5	0383400000
TS 35 x 15	0498000000
EKW 2	0199360000
EW 35	0383560000
QD 50/grey	0238700000
dekafix 5	

Housings

EG 3 - Fig. V



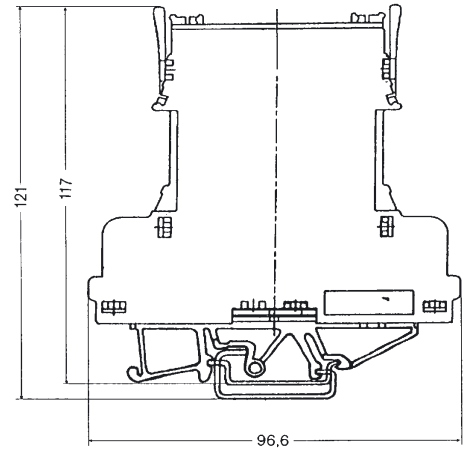
with assembly plate MPL

22.5 mm
17 mm

0.5...4 mm²
0.5...2.5 mm²

Type	Cat. No.
TS 32	0122800000
TS 35 x 7.5	0383400000
TS 35 x 15	0498000000
EKW 2	0199360000
EW 35	0383560000
QD 50/grey	0238700000
dekafix 6.5	

SEG-U/LPU



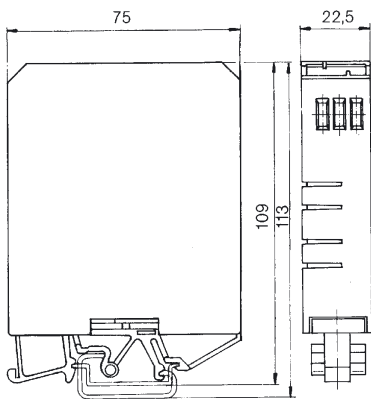
with assembly plate MPL

20 mm
17 mm

0.5...4 mm²
0.5...2.5 mm²
AWG 26...14

Type	Cat. No.
TS 32	0122800000
TS 35 x 7.5	0383400000
TS 35 x 15	0498000000
EKW 2	0199360000
EW 35	0383560000
QD 50/grey	0238700000
dekafix 5	

EG 4 - Fig. VI

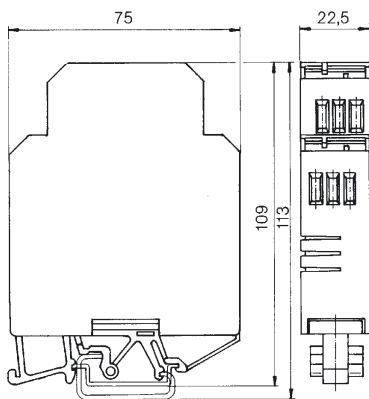


22.5 mm
17 mm

0.5...4 mm²
0.5...2.5 mm²
AWG 22...12

Type	Cat. No.
TS 32	0122800000
TS 35 x 7.5	0383400000
TS 35 x 15	0498000000
EKW 2	0199360000
EW 35	0383560000
QD 50/grey	0238700000
dekafix 6.5	

EG 5 - Fig. VII

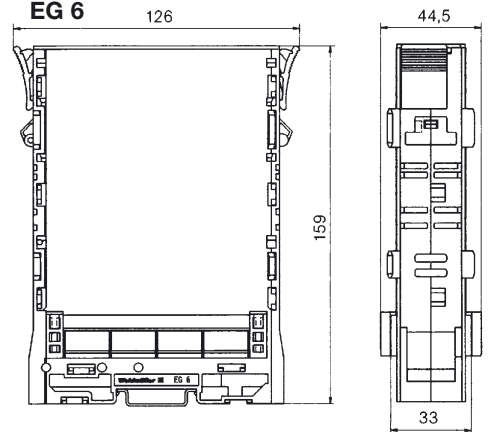


22.5 mm
17 mm

0.5...4 mm²
0.5...2.5 mm²
AWG 22...12

Type	Cat. No.
TS 32	0122800000
TS 35 x 7.5	0383400000
TS 35 x 15	0498000000
EKW 2	0199360000
EW 35	0383560000
QD 50/grey	0238700000
dekafix 6.5	

EG 6



Anreihmaß

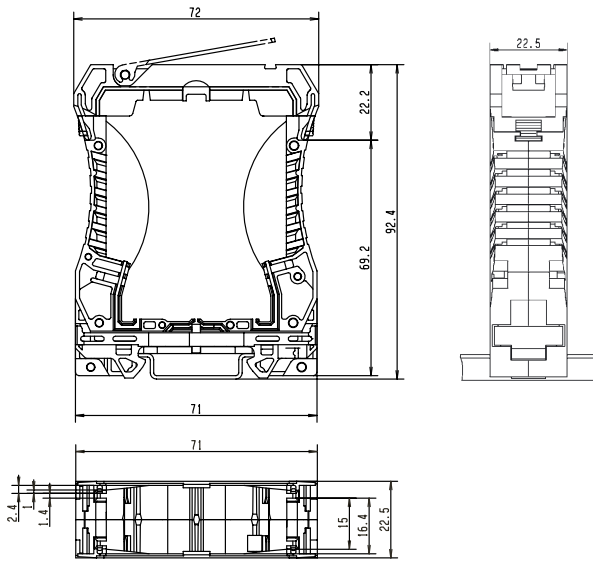
20 mm
17 mm

0.5...4 mm²
0.5...2.5 mm²
AWG 26...14

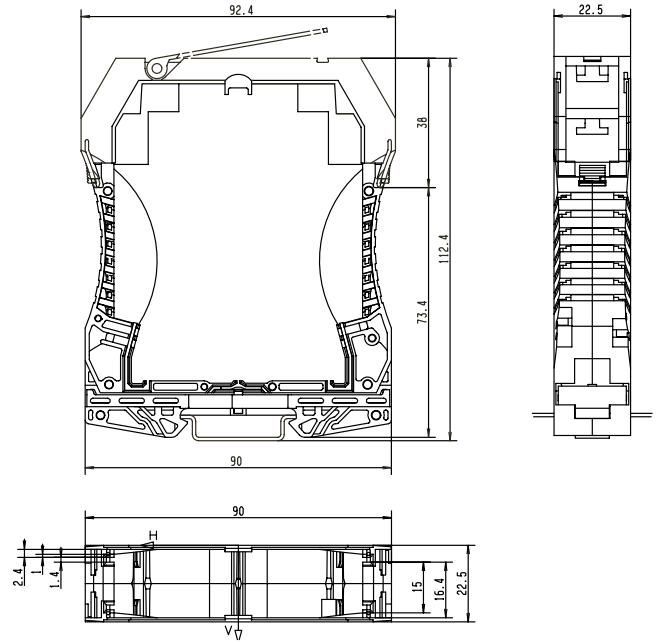
Type	Cat. No.
TS 32	0122800000
TS 35 x 7.5	0383400000
TS 35 x 15	0498000000
EKW 2	0199360000
EW 35	0383560000
QD 50/grey	0238700000
dekafix 6.5	

Housings

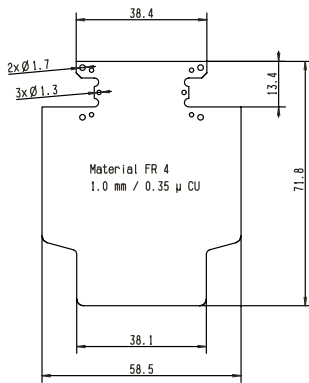
WAVEBOX S 22.5



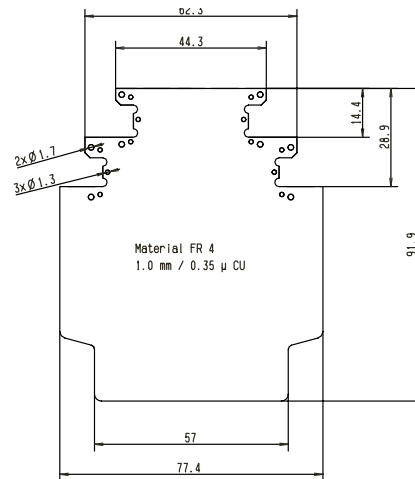
WAVEBOX L 22.5



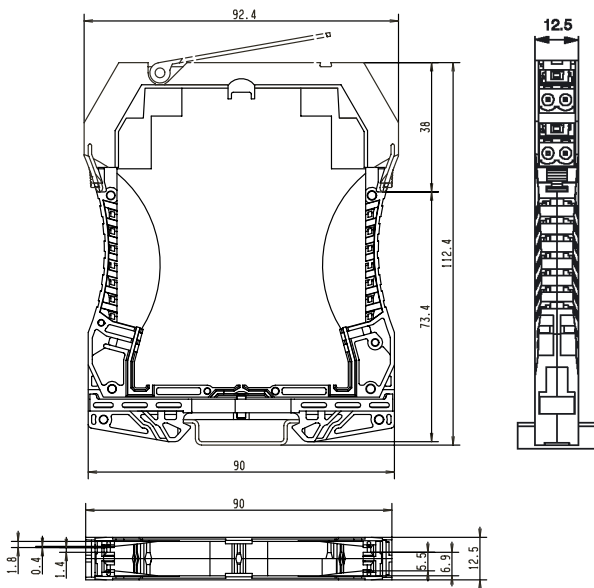
Printed circuit board S 22.5



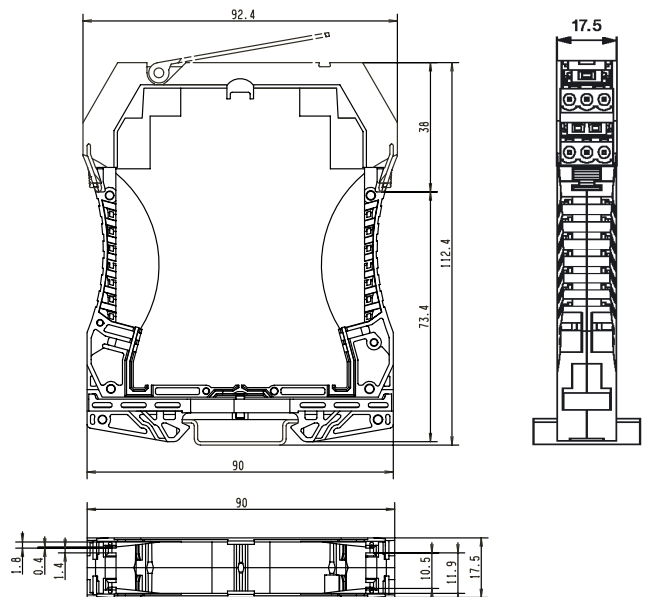
Printed circuit board L 22.5



WAVEBOX 12.5



WAVEBOX 17.5

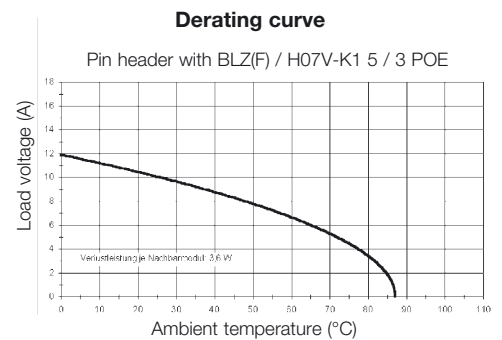
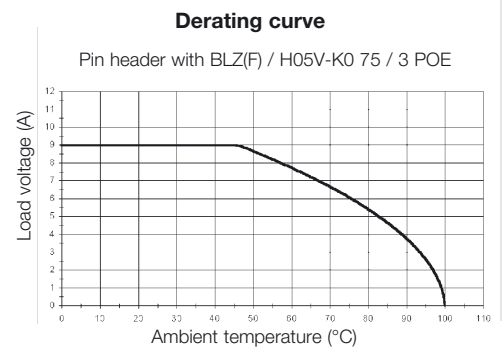
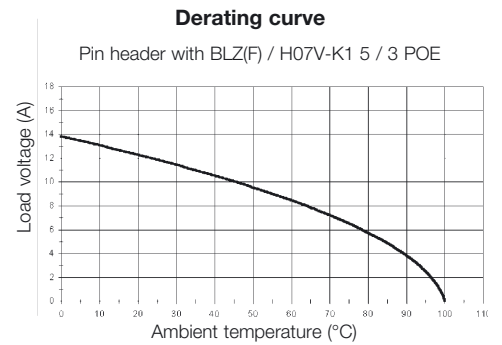


Housings

Socket blocks BLZ 5.08 / BLZF 5.08

Materials data	BLZ 5.08/SL 5.08	BLZF 5.08
Insulating material	PBT	PBT
Colour	orange	orange
Temperature range	-20.. +100 °C	-20.. +100 °C
Flammability class	UL 94 (VO)	UL 94 (VO)
Contact base material	CuSn	CuSn
Contact surface	tin plated	tin plated
Characteristic system values		
Pitch	5.08 mm	5.08 mm
Clearance	≥ 2.5 mm	≥ 3 mm
Creepage distance	≥ 4.0 mm	≥ 4.0 mm
Connection technology	Screw/solder connection	Tension clamp connection
Length of soldering pin	3.2/4.5 mm	
Mounting hole	∅ 1.3 + 0.1 mm	
Insulating stripping length	7 mm	7 mm
Terminal screw	M 2.5	
Isolations resistance	≥ 10 MΩ	≥ 10 ⁵ MΩ
Trough resistance	≤ 5 mΩ	≤ 5 mΩ
Connectable wires		
Terminal range	0.08...2.5 mm ²	1.5 mm ²
"e" solid H05(07)V-U	0.5...2.5 mm ²	0.13...1.5 mm ²
"f" flexible H05(07)V-K	0.5...2.5 mm ²	0.13...2.5 mm ²
"f" with ferrules		
according to DIN 46228/1	0.5...2.5 mm ²	0.05...2.5 mm ²
with plastic collar		
according to DIN 46228/4	0.5...1.5 mm ²	1.5 mm ²
AWG wire	28...14	26...14
Plug gauge acc. to EN 60947-1/10.91	A3	
Rated data according to VDE		VDE 0110 2.79
Rated cross-section	2.5mm ²	2.5mm ²
Rated current	12A ¹⁾	12A ¹⁾
Current capacity	see derating curves ²⁾	see derating curves ²⁾
Test voltage	2.0 kV~	2.0 kV~
Nominal torque	0.5 Nm	
Rated data according to		VDE 0110 1.89
Rated cross-section		1.5mm ²
Rated current (T _u =20°C)		12A ³⁾
Rated voltage		250 V
Rated impulse voltage		4 kV
Pollution severity		3
Rated data according to UL	Rated data according to UL	
AWG wire	22...12	26...14
Rated current	10 A	10 A
Rated voltage, industriell	300 V~	300 V~
Operation tool		
Screwdriver type SD/SDI 5		
Approvals	List on request	Applied for

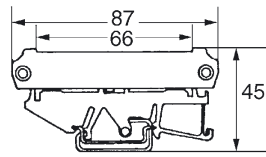
¹⁾ Rated cross-section and max. number of poles established from derating curve at 20 °C ambient temperature
²⁾ Further derating curves on demand



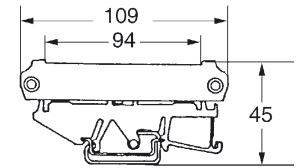
Housings

Locking socket profiles RS

RS 80

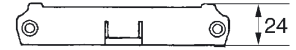


RS 100

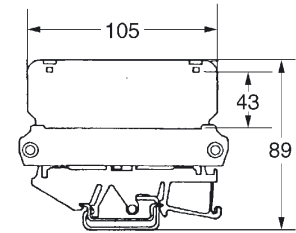
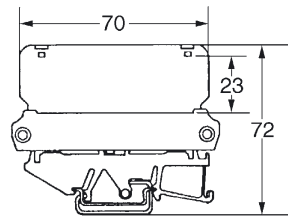


Rail mounting without cover

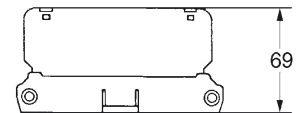
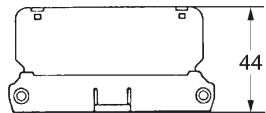
Direct mounting without cover



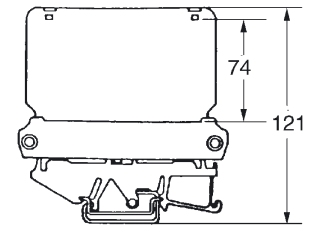
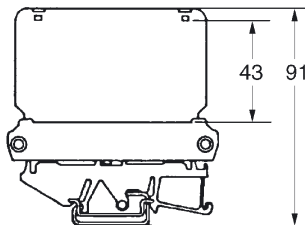
Rail mounting with low cover



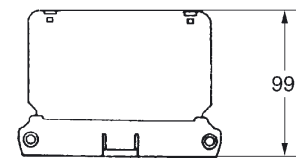
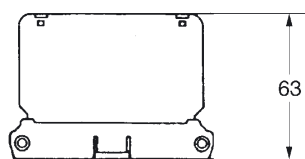
Direct mounting with low cover



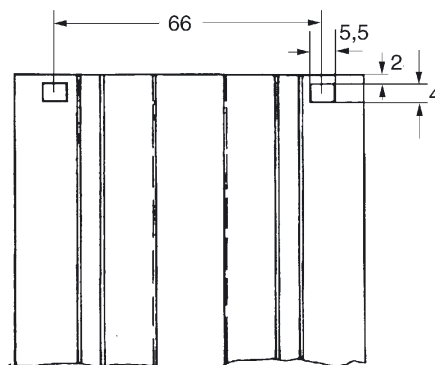
Rail mounting with high cover



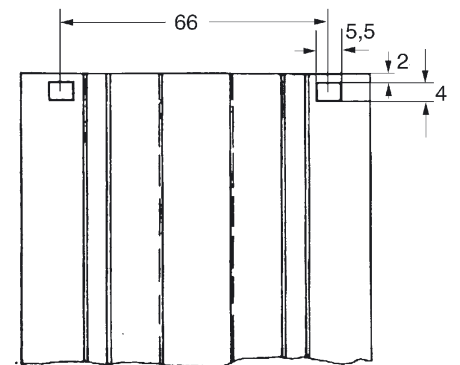
Direct mounting with high cover



Fixing holes



ADP 5 / ADP 6



ADP 10 / ADP 11

Housings

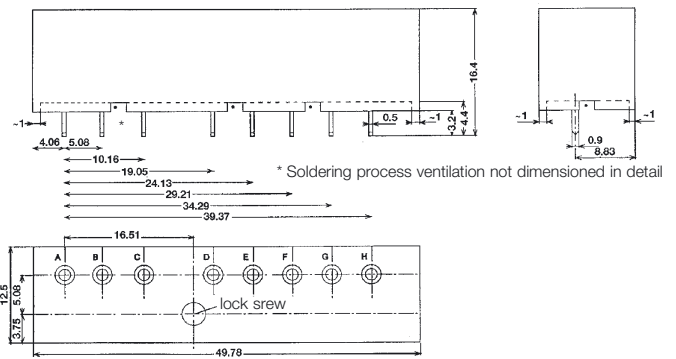
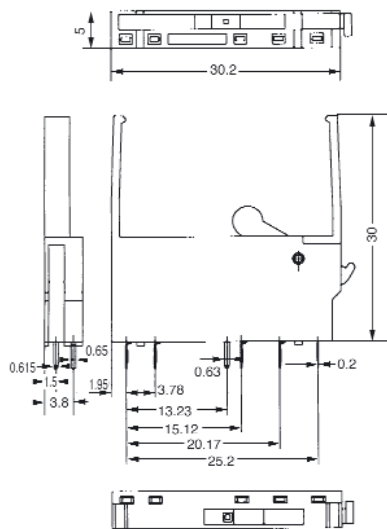
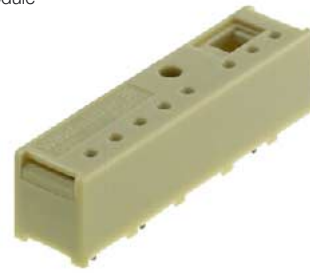
Pluggable relay socket RSS 5MM

- Suitable for PCB mounting
- For miniature all-or-nothing relays type *Tyco* SNR, *NAIS* APE ...
- Mechanical interlock with eject lever



Semi-wire relay socket OS 2 and OS 2/5

- Suitable for PCB mounting
- For solid state relays Type *Opto 22*, *Crouzet* ...
- Secured in socket by fixing screws integrated in the module



Ordering data

Type	Cat. No.
RSS 5 MM	4056360000

Technical data

Input voltage	250 V
Output voltage	250 V
Max. switching current	6 A
Rated current	5 A
Flammability class acc. to UL 94	V-2

Insulation coordination acc. to EN 50178

Rated voltage	250 V
Rated impulse voltage	
Input circuit	4 kV (1.2/50 μs)
Output circuit	4 kV (1.2/50 μs)
Input < output	< 8 kV (1.2/50 μs)
Overvoltage category	III
Pollution severity	2

Ambient conditions

Ambient temperature	- 25°C ... + 50°C
Storage temperature	- 40°C ... + 85°C

Dimensions

Length / width / height	30,2 / 5 / 30 mm
Soldering pin	3.5 mm

Ordering data

Type	Cat. No.
OS2	9455210000 ¹⁾
OS2/5	9457640000 ²⁾

Technical data

Input voltage	250 V
Output voltage	250 V
Rated current	5 A
Flammability class acc. to UL 94	V-2

Insulation coordination acc. to EN 50178

Rated voltage	250 V
Rated impulse voltage	
Input circuit	4 kV (1.2/50 μs)
Output circuit	4 kV (1.2/50 μs)
Input < output	< 8 kV (1.2/50 μs)
Overvoltage category	III
Pollution severity	2

Ambient conditions

Ambient temperature	- 25°C ... + 50°C
Storage temperature	- 40°C ... + 85°C

Dimensions

Length / width / height	49,78 / 12,5 / 13,2 mm
Soldering pin	3,2 mm

¹⁾ equipped with with contact sockets B, C, F, H

²⁾ equipped with with contact sockets A, B, C, F, H